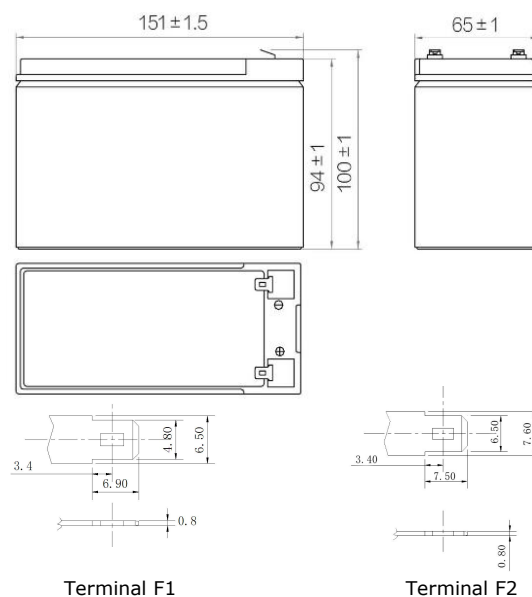


**Specifications**

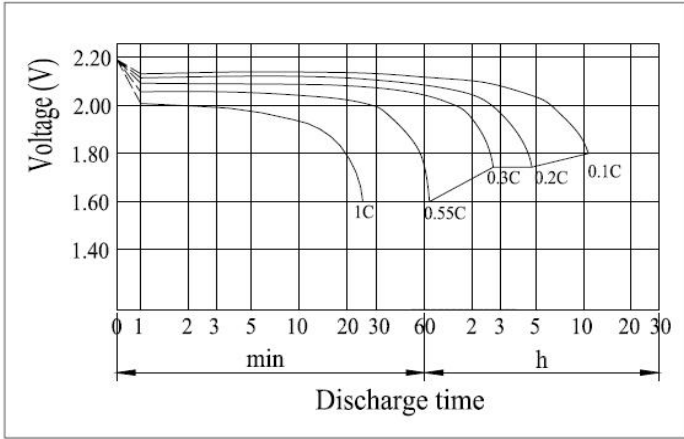
Nominal Voltage	12V	
Nominal Capacity(20hr)	7.5AH	
Dimension	Length	151±2mm(5.94inch)
	Width	65±2mm(2.56inch)
	Height	94±2mm(3.7inch)
	Total Height	98±2mm(3.86inch)
Approx Weight	Approx. 2.16kg(+5%)	
Terminal Type	F1/F2	
container Material	ABS(UL-94HB)	
Internal Resistance	Approx.18mΩ	
Rated Capacity	7.5AH	(20hr, 1.75V/cell,25°C/77°F)
	7.1AH	(10hr, 1.75V/cell,25°C/77°F)
	6.4AH	(5hr, 1.75V/cell,25°C/77°F)
	6.0AH	(3hr, 1.75V/cell,25°C/77°F)
	4.5AH	(1hr, 1.75V/cell,25°C/77°F)
Max. Discharge Current	105A(5S)	
Nominal Operating Temp. Range	25±3°C (77±5°F)	
Cycle Use	Charge Current Less Than 0.25CA	
	14.1V~14.7V@25°C(77°F)Temp. Coefficient -30mV/°C	
Floating Use	13.5V~13.8V@25°C(77°F)Temp. Coefficient -20mV/°C	
Capacity affected by Temperature	40°C	103%
	25°C	100%
	0°C	86%
	-15°C	65%
Self-discharge	3 month	Remaining capacity: 91%
	6 month	Remaining capacity:82%
	12month	Remaining capacity:65%


**Dimensions**


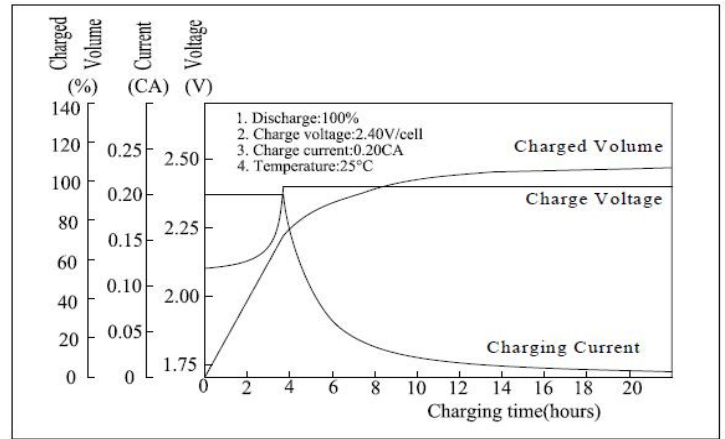
Constant Power Discharge at 25°C(77°F)												
F.V/Time	5min	10min	15min	30min	1h	2h	3h	4h	5h	6h	10h	20h
1.80V/cell	47.8	33.0	22.9	14.2	8.35	4.88	3.72	2.95	2.45	2.09	1.37	0.72
1.75V/cell	48.7	33.6	23.3	14.4	8.51	4.97	3.78	3.00	2.50	2.14	1.39	0.73
1.70V/cell	50.2	34.6	24.7	15.0	8.66	5.06	3.85	3.06	2.54	2.17	1.41	0.74
1.67V/cell	51.6	35.6	26.8	15.8	8.75	5.11	3.89	3.09	2.56	2.20	1.43	0.75
1.60V/cell	53.1	36.6	28.2	16.5	8.85	5.17	3.94	3.13	2.60	2.22	1.44	0.76

Constant Current Discharge at 25°C(77°F)												
F.V/Time	5min	10min	15min	30min	1h	2h	3h	4h	5h	6h	10h	20h
1.80V/cell	24.5	16.9	11.7	7.27	4.28	2.50	1.91	1.51	1.26	1.07	0.70	0.37
1.75V/cell	25.0	17.2	11.9	7.40	4.37	2.55	1.94	1.54	1.28	1.10	0.71	0.38
1.70V/cell	25.7	17.8	12.7	7.70	4.44	2.60	1.98	1.57	1.30	1.11	0.73	0.38
1.67V/cell	26.5	18.3	13.7	8.13	4.49	2.63	2.00	1.59	1.32	1.13	0.73	0.39
1.60V/cell	27.2	18.8	14.4	8.48	4.53	2.65	2.02	1.60	1.33	1.14	0.74	0.39

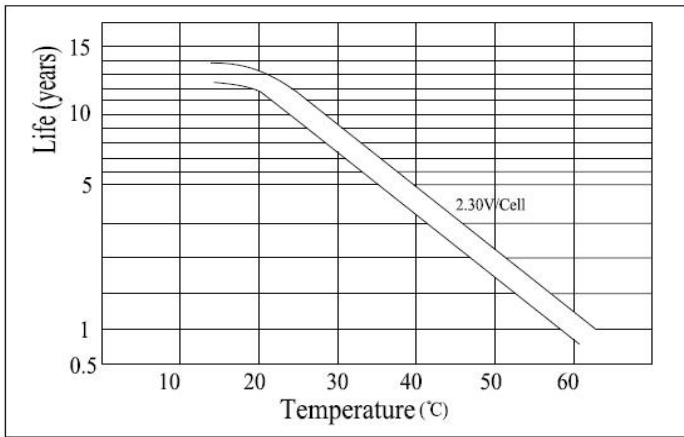
**Discharge Characteristics**



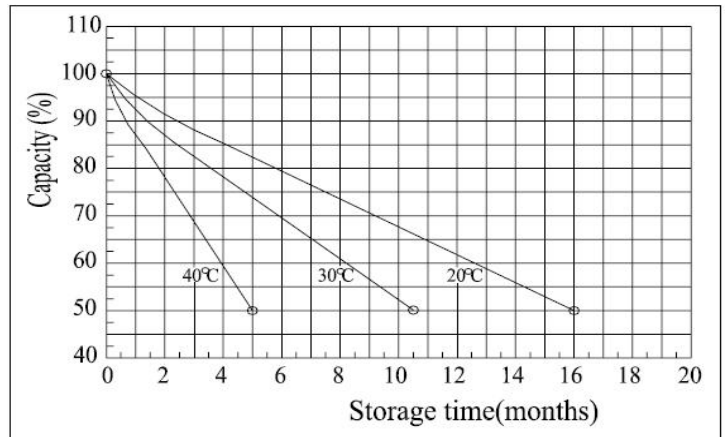
**Float Charging Characteristics**



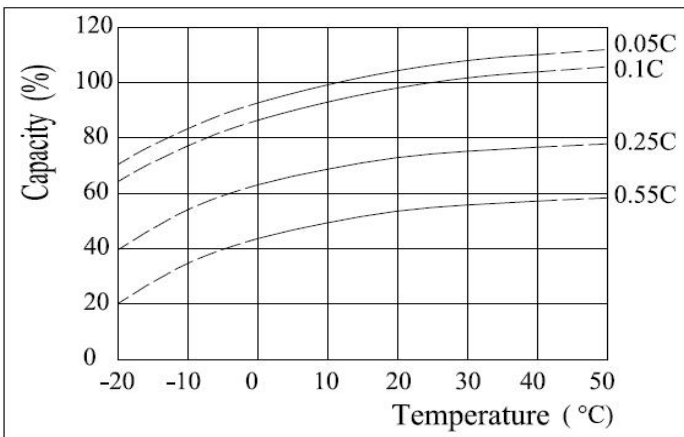
**Floating Life on Temperature**



**Self Discharge Characteristics ( 25°C(77°F) )**



**Temperature Effects in Relation to Battery Capacity**



**Cycle Life Relation to Depth of Discharge**

