

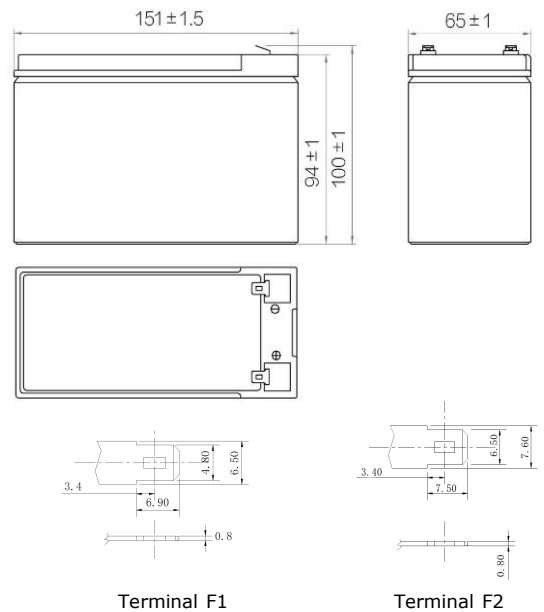


Specifications

Nominal Voltage	12V	
Nominal Capacity(20hr)	9AH	
Dimension	Length	151±2mm(5.94inch)
	Width	65±2mm(2.56inch)
	Height	94±2mm(3.7inch)
	Total Height	98±2mm(3.86inch)
Approx Weight	Approx. 2.48kg(+ -3%)	
Terminal Type	F1/F2	
container Material	ABS(UL-94HB)	
Internal Resistance	Approx.25mΩ	
Rated Capacity	9.0AH	(20hr, 1.75V/cell,25℃/77℉)
	8.2AH	(10hr, 1.75V/cell,25℃/77℉)
	8.0AH	(5hr, 1.75V/cell,25℃/77℉)
	7.3AH	(3hr, 1.75V/cell,25℃/77℉)
	5.5AH	(1hr, 1.75V/cell,25℃/77℉)
Max. Discharge Current	200A(5S)	
Nominal Operating Temp. Range	25±3℃ (77±5℉)	
Cycle Use	Charge Current Less Than 0.25CA	
	14.1V~14.7V@25℃(77℉)Temp. Coefficient -30mV/℃	
Floating Use	13.5V~13.8V@25℃(77℉)Temp. Coefficient -20mV/℃	
Capacity affected by Temperature	40℃	103%
	25℃	100%
	0℃	86%
	-15℃	65%
Self-discharge	3 month	Remaining capacity: 91%
	6 month	Remaining capacity:82%
	12month	Remaining capacity:65%



Dimensions



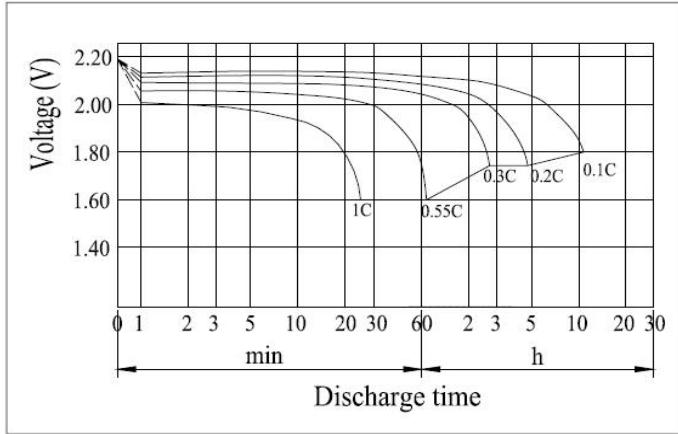
Constant Power Discharge at 25℃(77℉)

F.V/Time	5min	10min	15min	30min	1h	2h	3h	4h	5h	6h	10h	20h
1.80V/cell	53.6	37.2	30.6	18.3	10.5	5.64	4.66	3.55	3.07	2.46	1.56	0.81
1.75V/cell	54.6	37.9	31.2	18.7	10.7	5.74	4.74	3.62	3.13	2.50	1.59	0.83
1.70V/cell	56.3	39.1	32.1	19.2	11.0	5.92	4.89	3.73	3.22	2.58	1.64	0.85
1.67V/cell	58.5	40.6	33.3	20.0	11.5	6.15	5.07	3.88	3.35	2.68	1.71	0.89
1.60V/cell	61.7	42.9	35.2	21.1	12.1	6.49	5.35	4.09	3.54	2.83	1.80	0.92

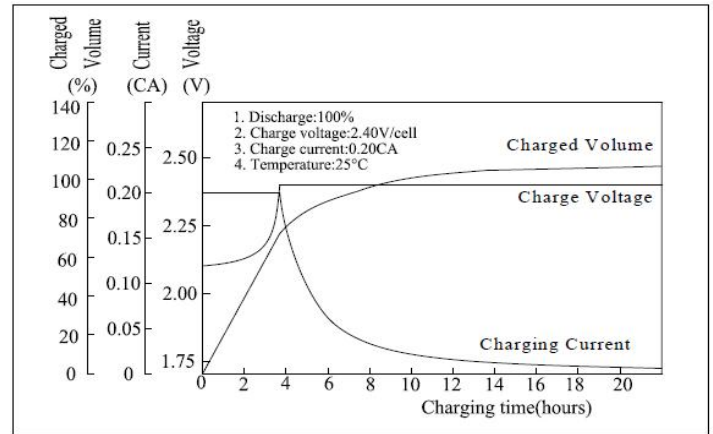
Constant Current Discharge at 25℃(77℉)

F.V/Time	5min	10min	15min	30min	1h	2h	3h	4h	5h	6h	10h	20h
1.80V/cell	27.6	19.2	15.7	9.4	5.41	2.90	2.40	1.83	1.58	1.26	0.81	0.42
1.75V/cell	28.1	19.5	16.0	9.6	5.51	2.96	2.44	1.87	1.61	1.29	0.82	0.43
1.70V/cell	29.0	20.1	16.5	9.9	5.68	3.05	2.51	1.92	1.66	1.33	0.85	0.44
1.67V/cell	30.1	20.9	17.2	10.3	5.90	3.16	2.61	2.00	1.73	1.38	0.88	0.45
1.60V/cell	31.8	22.1	18.1	10.9	6.23	3.34	2.76	2.11	1.82	1.43	0.91	0.46

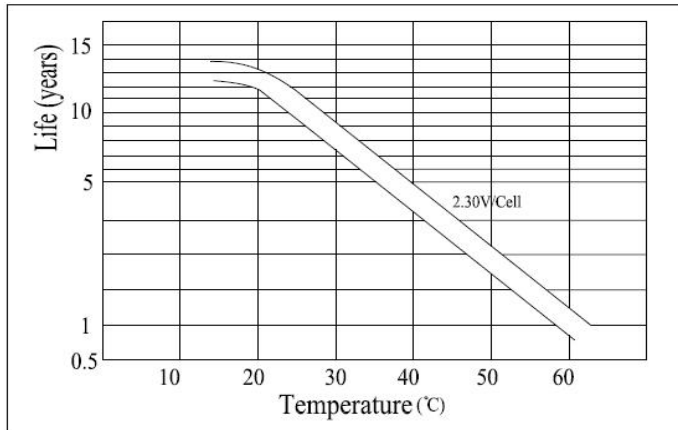
Discharge Characteristics



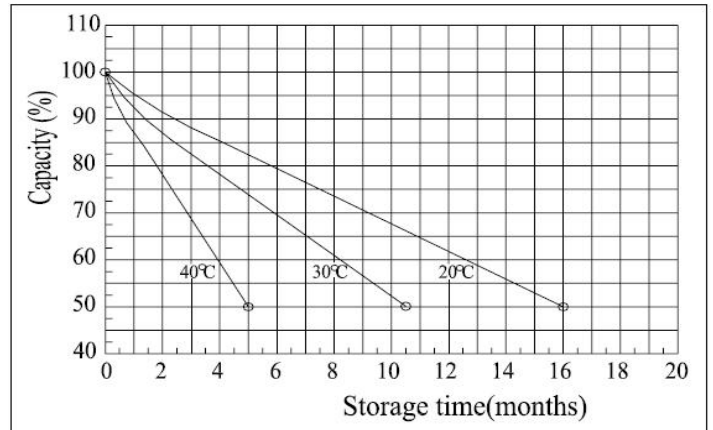
Float Charging Characteristics



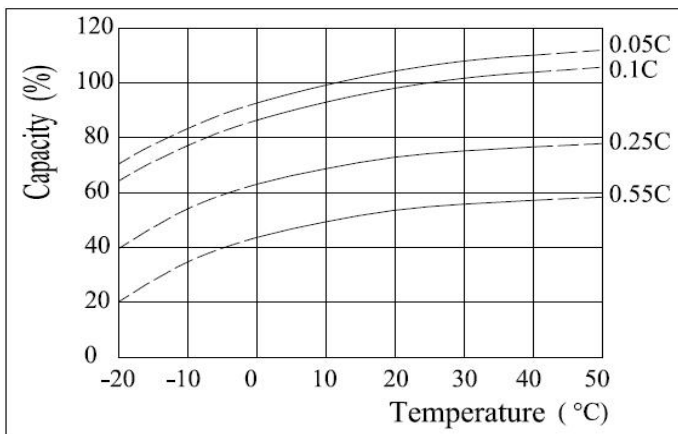
Floating Life on Temperature



Self Discharge Characteristics (25°C (77°F))



Temperature Effects in Relation to Battery Capacity



Cycle Life Relation to Depth of Discharge

