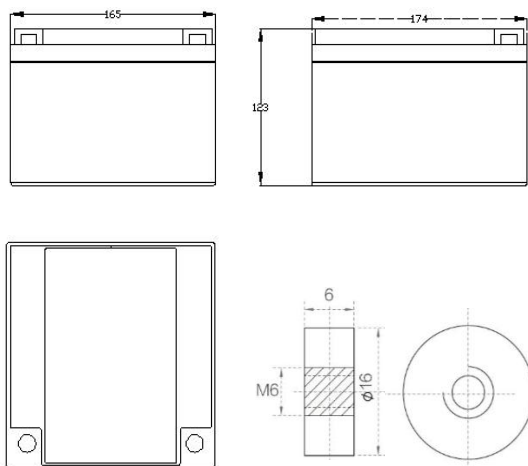


Specifications

Nominal Voltage	12V	
Nominal Capacity(20hr)	28AH	
Dimension	Length	165±2mm(6.50inch)
	Width	126±2mm(4.96inch)
	Height	174±2mm(6.85inch)
	Total Height	174±2mm(6.85inch)
Approx Weight	Approx. 8.4kg(+ -3%)	
Terminal Type	T3/B2	
container Material	ABS(UL-94HB)	
Internal Resistance	Approx.11mΩ	
Rated Capacity	28.0AH	(20hr, 1.75V/cell,25°C/77°F)
	27.0AH	(10hr, 1.75V/cell,25°C/77°F)
	24.0AH	(5hr, 1.75V/cell,25°C/77°F)
	22.0AH	(3hr, 1.75V/cell,25°C/77°F)
	17.0AH	(1hr, 1.75V/cell,25°C/77°F)
Max. Discharge Current	330A(5S)	
Nominal Operating Temp. Range	25±3°C (77±5°F)	
Cycle Use	Charge Current Less Than 0.25CA	
	14.1V~14.7V@25°C(77°F)Temp. Coefficient -30mV/°C	
Floating Use	13.5V~13.8V@25°C(77°F)Temp. Coefficient -20mV/°C	
Capacity affected by Temperature	40°C	103%
	25°C	100%
	0°C	86%
	-15°C	65%
Self-discharge	3 month	Remaining capacity: 91%
	6 month	Remaining capacity:82%
	12month	Remaining capacity:65%


Dimensions


Terminal M6

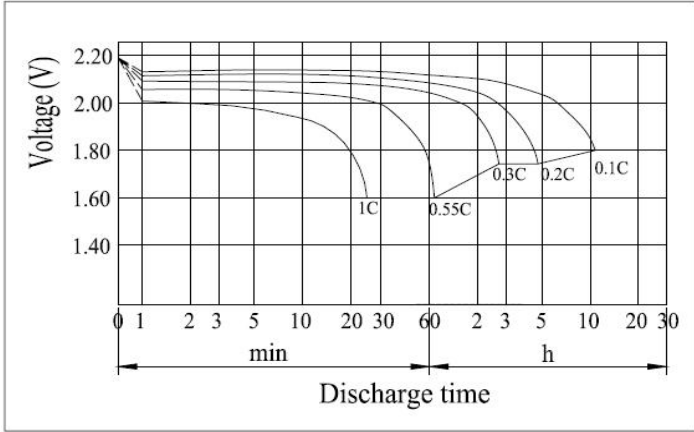
Constant Power Discharge at 25°C(77°F)

F.V/Time	5min	10min	15min	30min	1h	2h	3h	4h	5h	6h	10h	20h
1.80V/Cell	159	131	95	56.7	33.3	17.9	13.6	12.1	9.52	8.54	5.30	2.80
1.75V/Cell	161	136	96	58.7	33.9	18.9	13.9	12.3	9.58	8.59	5.33	2.80
1.70V/Cell	172	140	98	60.0	34.7	19.6	14.1	12.4	9.73	8.60	5.34	2.80
1.67V/Cell	182	144	101	60.8	35.1	19.9	14.2	12.5	9.88	8.64	5.35	2.80
1.60V/Cell	193	147	102	61.4	35.4	20.1	14.3	12.6	9.91	8.73	5.36	2.81

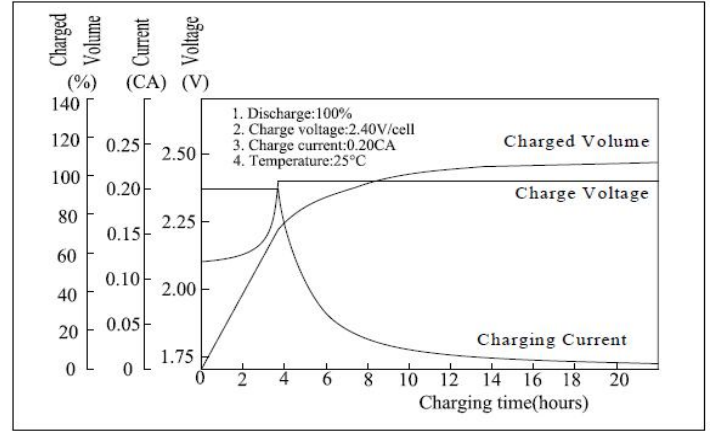
Constant Current Discharge at 25°C(77°F)

F.V/Time	5min	10min	15min	30min	1h	2h	3h	4h	5h	6h	10h	20h
1.80V/Cell	85.8	64.1	48.9	29.5	15.7	9.5	7.36	6.02	4.90	4.19	2.70	1.40
1.75V/Cell	89.0	64.8	49.4	29.7	16.4	9.7	7.43	6.14	4.94	4.20	2.70	1.40
1.70V/Cell	92.1	66.2	50.3	30.2	17.0	10.0	7.55	6.27	4.99	4.24	2.70	1.40
1.67V/Cell	98.4	67.1	52.8	30.6	17.3	10.0	7.67	6.27	5.04	4.31	2.71	1.41
1.60V/Cell	104.5	71.8	55.2	31.4	17.5	10.1	7.90	6.33	5.08	4.34	2.71	1.41

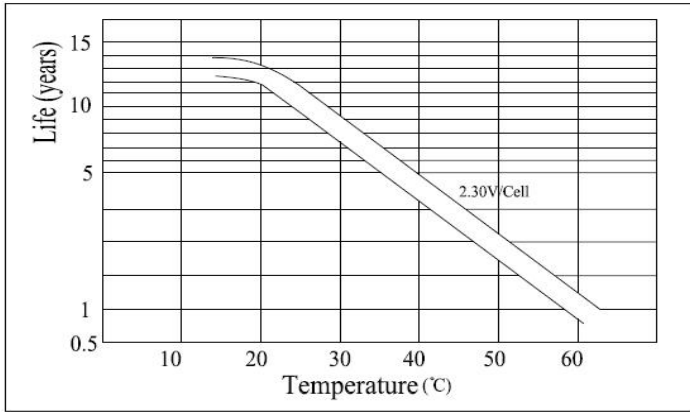
Discharge Characteristics



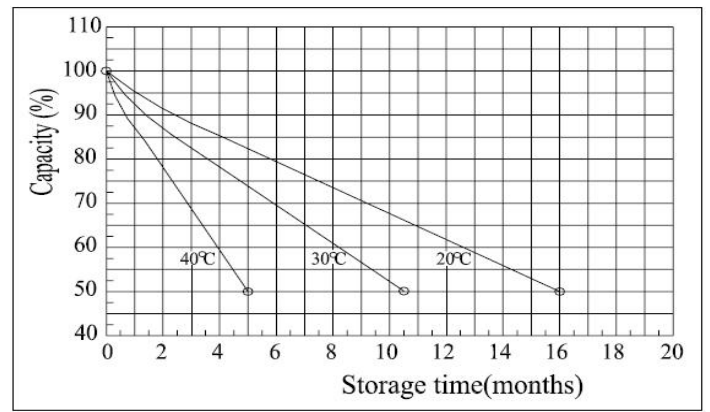
Float Charging Characteristics



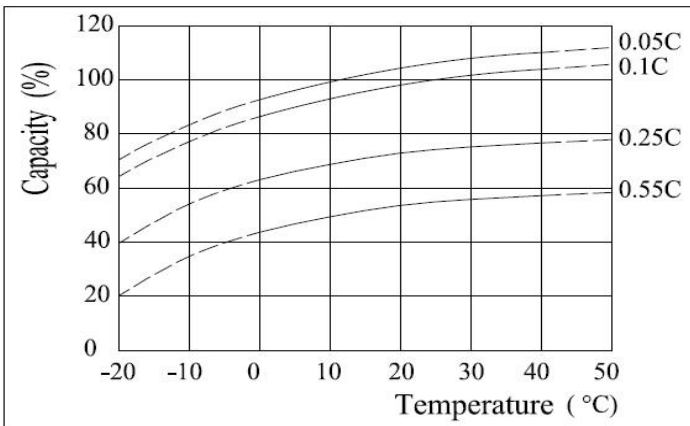
Floating Life on Temperature



Self Discharge Characteristics (25°C(77°F))



Temperature Effects in Relation to Battery Capacity



Cycle Life Relation to Depth of Discharge

