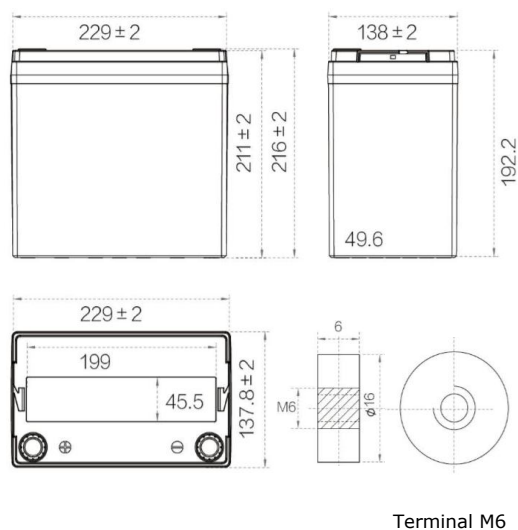


Specifications

Nominal Voltage	12V	
Nominal Capacity(10hr)	55Ah	
Dimension	Length	230±2mm(9.06inch)
	Width	137±2mm(5.39inch)
	Height	210±2mm(8.27inch)
	Total Height	215±2mm(8.46inch)
Approx Weight	Approx. 16.8 kg(+3%)	
Terminal Type	M6	
container Material	ABS(UL-94HB)	
Internal Resistance	Approx. 6 mΩ	
Rated Capacity	57.0Ah	(20hr, 1.75 V/cell,25°C/77°F)
	55.0Ah	(10hr, 1.75 V/cell,25°C/77°F)
	48.0Ah	(5hr, 1.70V/cell,25°C/77°F)
	45.0Ah	(3hr, 1.70 V/cell,25°C/77°F)
	32.0Ah	(1hr, 1.70V/cell,25°C/77°F)
Max. Discharge Current	550 A(5S)	
Nominal Operating Temp. Range	25±3°C (77±5°F)	
Cycle Use	Charge Current Less Than 0.25CA	
	14.1V~14.7V@25°C(77°F)Temp. Coefficient -30mV/°C	
Floating Use	No limit on Initial Charging Current Voltage	
	13.5V~13.8V@25°C(77°F)Temp. Coefficient -20mV/°C	
Capacity affected by Temperature	40°C	103%
	25°C	100%
	0°C	86%
	-15°C	65%
Self-discharge	3 month	Remaining capacity: 91%
	6 month	Remaining capacity:82%
	12month	Remaining capacity:65%



Dimensions



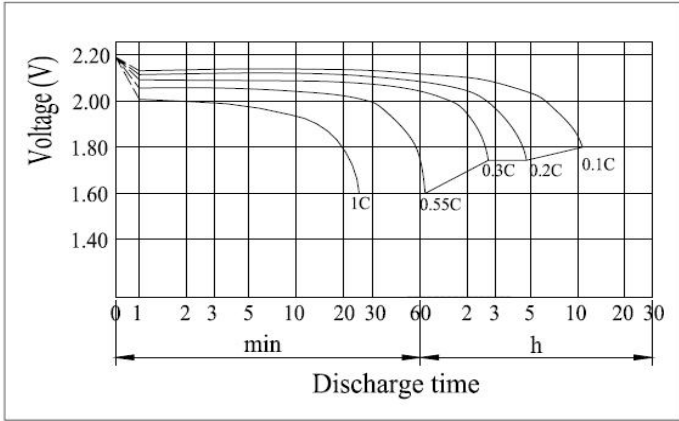
Constant Power Discharge at 25°C(77°F)

F.V/Time	5min	10min	15min	30min	1h	2h	3h	4h	5h	6h	10h	20h
1.80V/cell	218.6	182.1	151.0	109.0	74.0	41.20	30.07	24.18	19.41	17.07	10.61	5.94
1.75V/cell	247.2	204.3	161.8	112.8	75.4	43.27	30.70	24.50	19.88	17.22	10.72	5.97
1.70V/cell	276.0	220.5	173.9	115.3	77.0	44.70	31.18	24.82	20.04	17.38	10.78	5.98
1.65V/cell	294.4	226.2	177.5	116.8	78.6	45.97	31.50	24.97	20.20	17.53	10.83	6.00
1.60V/cell	299.7	228.9	179.3	118.0	79.7	46.13	31.97	25.13	20.84	17.68	10.89	6.00

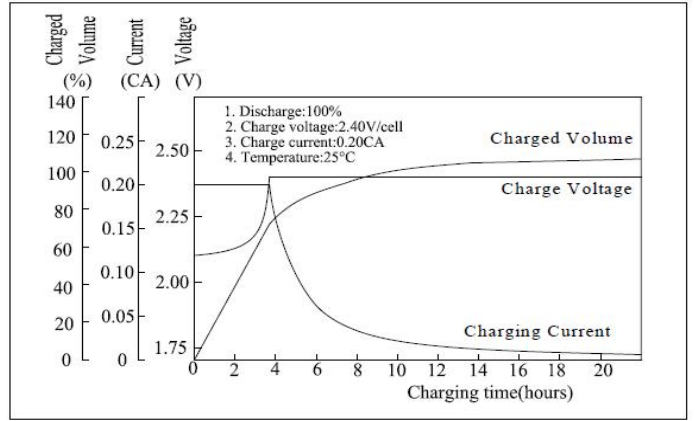
Constant Current Discharge at 25°C(77°F)

F.V/Time	5min	10min	15min	30min	1h	2h	3h	4h	5h	6h	10h	20h
1.80V/cell	150.4	132.8	97.2	61.10	32.47	18.95	15.25	12.03	9.78	8.36	5.46	2.89
1.75V/cell	152.6	134.2	98.1	61.58	34.06	19.44	15.39	12.27	9.87	8.39	5.47	2.90
1.70V/cell	163.5	137.1	100.1	62.54	35.12	19.92	15.64	12.51	9.96	8.47	5.47	2.91
1.65V/cell	174.5	139.0	104.9	63.41	35.84	20.40	15.88	12.51	10.05	8.60	5.48	2.91
1.60V/cell	185.4	148.7	109.7	64.95	36.27	20.88	16.36	12.99	10.15	8.66	5.49	2.92

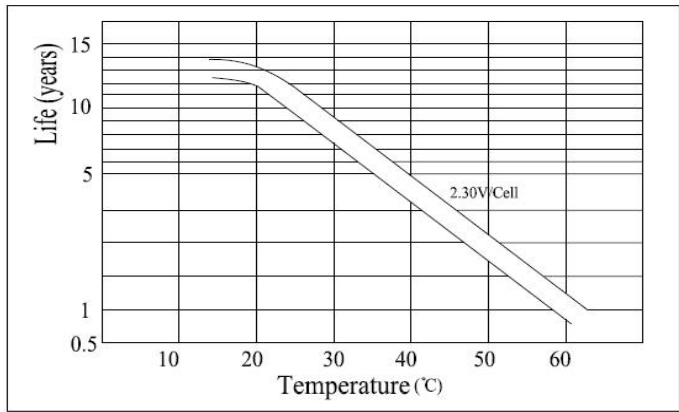
Discharge Characteristics



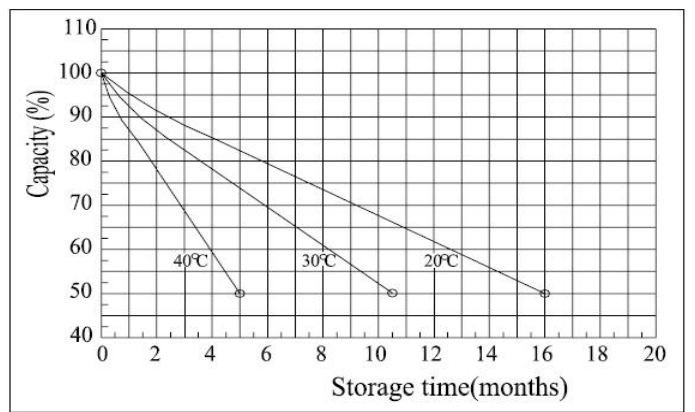
Float Charging Characteristics



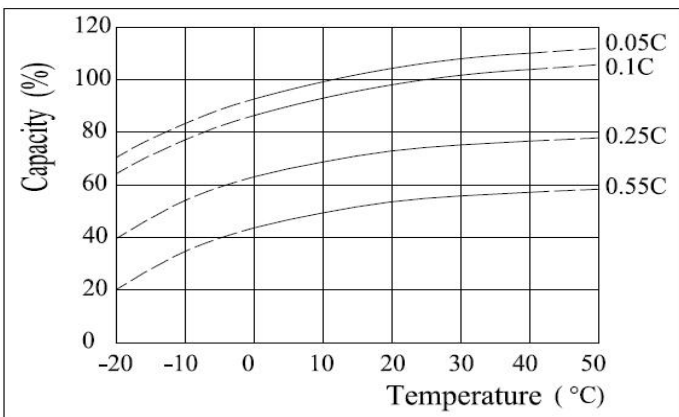
Floating Life on Temperature



Self Discharge Characteristics (25°C(77°F))



Temperature Effects in Relation to Battery Capacity



Cycle Life Relation to Depth of Discharge

