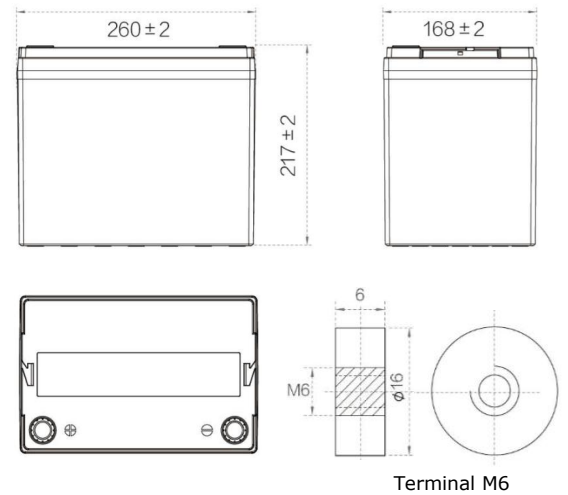


Specifications

Nominal Voltage	12V	
Nominal Capacity(10hr)	75AH	
Dimension	Length	260±2mm(10.24inch)
	Width	167±2mm(6.57inch)
	Height	213±2mm(8.39inch)
	Total Height	217±2mm(8.54inch)
Approx Weight	Approx. 21.5kg(+3%)	
Terminal Type	M6	
container Material	ABS(UL-94HB)	
Internal Resistance	Approx.6.6mΩ	
Rated Capacity	78.60AH	(20hr, 1.75V/cell,25°C/77°F)
	75.00AH	(10hr, 1.75V/cell,25°C/77°F)
	65.40AH	(5hr, 1.75V/cell,25°C/77°F)
	58.86AH	(3hr, 1.75V/cell,25°C/77°F)
	40.45AH	(1hr, 1.75V/cell,25°C/77°F)
Max. Discharge Current	900A(5S)	
Nominal Operating Temp. Range	25±3°C (77±5°F)	
Cycle Use	Charge Current Less Than 0.25CA	
	14.1V~14.7V@25°C(77°F)Temp. Coefficient -30mV/°C	
Floating Use	13.5V~13.8V@25°C(77°F)Temp. Coefficient -20mV/°C	
Capacity affected by Temperature	40°C	103%
	25°C	100%
	0°C	86%
	-15°C	65%
Self-discharge	3 month	Remaining capacity: 91%
	6 month	Remaining capacity:82%
	12month	Remaining capacity:65%



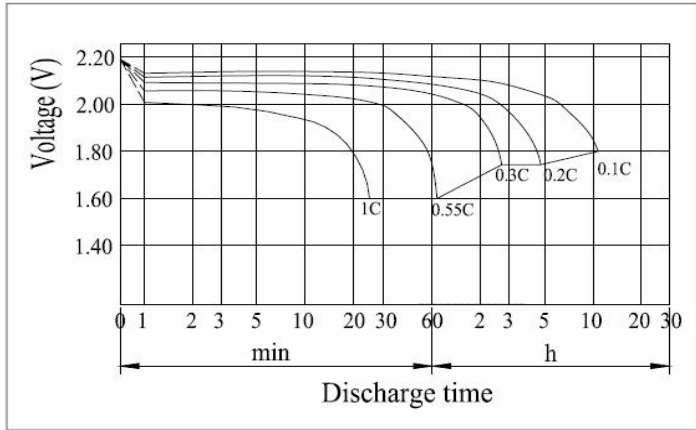
Dimensions



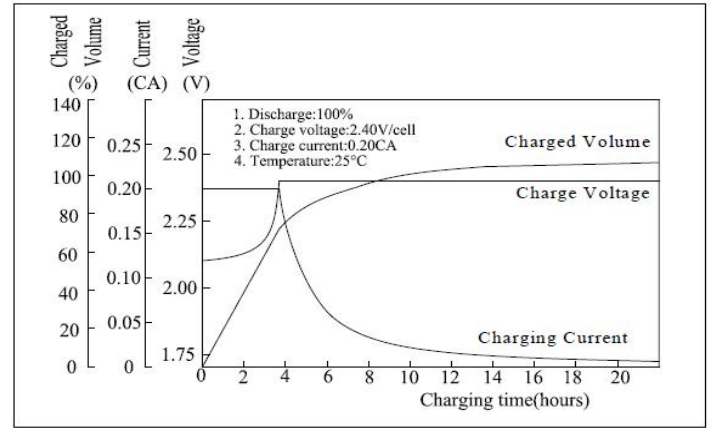
Constant Power Discharge at 25°C(77°F)												
F.V/Time	5min	10min	15min	30min	1h	2h	3h	4h	5h	6h	10h	20h
1.80V/cell	450.65	306.57	209.95	127.65	78.22	48.82	37.95	29.85	25.30	16.91	14.56	7.62
1.75V/cell	454.43	309.15	211.64	128.74	78.88	49.22	38.27	30.10	25.51	17.04	14.77	7.73
1.70V/cell	465.87	316.92	217.01	131.95	80.86	50.46	39.22	30.86	26.15	17.47	14.99	7.85
1.67V/cell	477.21	324.68	222.29	135.17	82.83	51.69	40.19	31.60	26.79	17.90	15.20	7.96
1.60V/cell	498.41	339.10	232.14	141.19	86.51	53.99	41.97	33.01	27.98	18.70	15.42	8.08

Constant Current Discharge at 25°C(77°F)												
F.V/Time	5min	10min	15min	30min	1h	2h	3h	4h	5h	6h	10h	20h
1.80V/cell	231.14	157.21	107.65	65.46	40.11	25.03	19.46	15.30	12.98	8.67	7.39	3.87
1.75V/cell	233.03	158.51	108.56	66.02	40.45	25.24	19.62	15.43	13.08	8.75	7.50	3.93
1.70V/cell	238.91	162.49	111.27	67.67	41.46	25.88	20.12	15.82	13.41	8.97	7.62	3.98
1.67V/cell	244.68	166.47	113.99	69.32	42.48	26.51	20.61	16.21	13.74	9.17	7.72	4.04
1.60V/cell	255.62	173.93	119.06	72.41	44.37	27.69	21.52	16.93	14.35	9.59	7.83	4.10

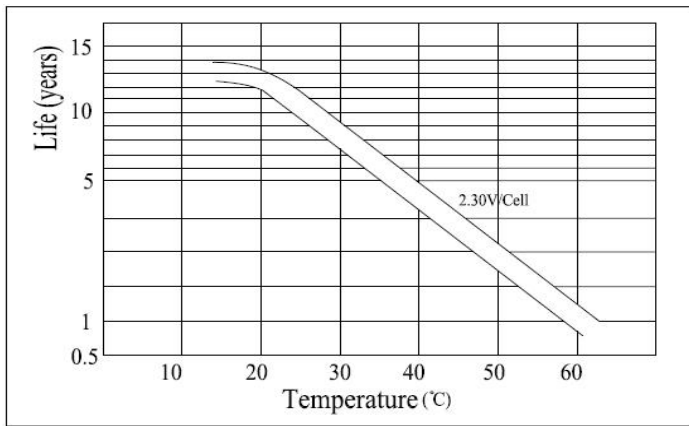
Discharge Characteristics



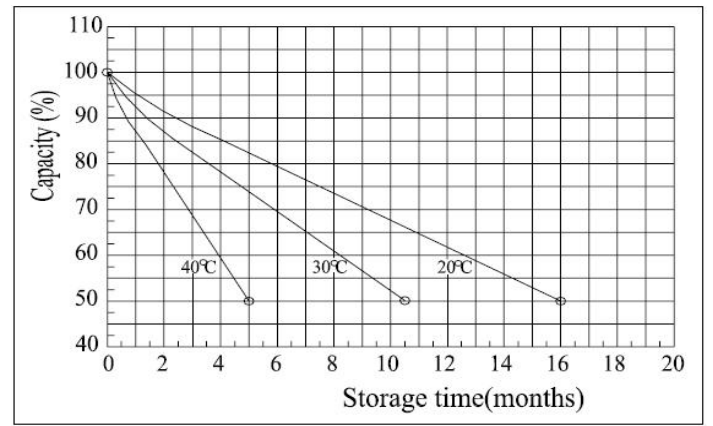
Float Charging Characteristics



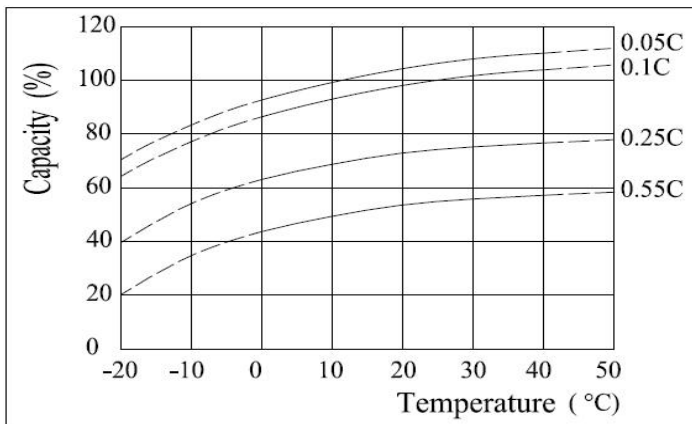
Floating Life on Temperature



Self Discharge Characteristics (25°C(77°F))



Temperature Effects in Relation to Battery Capacity



Cycle Life Relation to Depth of Discharge

