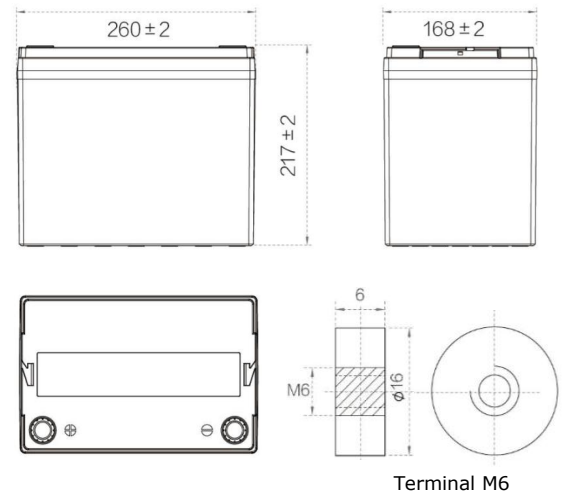


Specifications

Nominal Voltage	12V	
Nominal Capacity(10hr)	80AH	
Dimension	Length	260±2mm(10.24inch)
	Width	167±2mm(6.57inch)
	Height	213±2mm(8.39inch)
	Total Height	217±2mm(8.54inch)
Approx Weight	Approx. 22.5kg(+3%)	
Terminal Type	M6	
container Material	ABS(UL-94HB)	
Internal Resistance	Approx. 6.6mΩ	
Rated Capacity	82.0AH	(20hr, 1.70V/cell,25°C/77°F)
	80.0AH	(10hr, 1.75V/cell,25°C/77°F)
	65.0.0AH	(5hr, 1.75V/cell,25°C/77°F)
	60.0AH	(3hr, 1.70V/cell,25°C/77°F)
	45.0AH	(1hr, 1.60V/cell,25°C/77°F)
Max. Discharge Current	800A(5S)	
Nominal Operating Temp. Range	25±3°C (77±5°F)	
Cycle Use	Charge Current Less Than 0.25CA	
	14.1V~14.7V@25°C(77°F)Temp. Coefficient -30mV/°C	
Floating Use	13.5V~13.8V@25°C(77°F)Temp. Coefficient -20mV/°C	
	40°C	103%
Capacity affected by Temperature	25°C	100%
	0°C	86%
	-15°C	65%
	3 month	Remaining capacity: 91%
Self-discharge	6 month	Remaining capacity:82%
	12month	Remaining capacity:65%



Dimensions



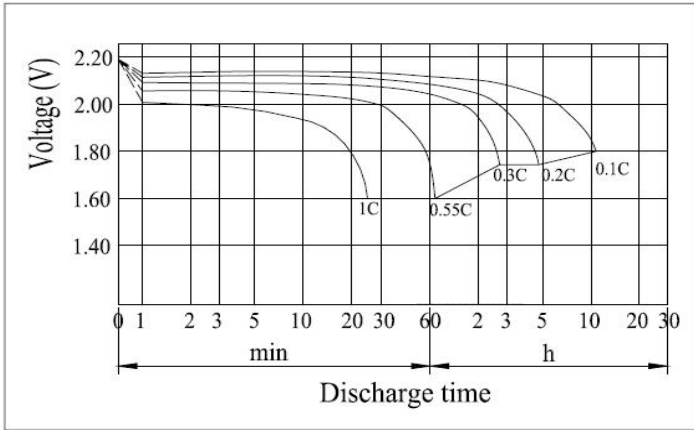
Constant Power Discharge at 25°C(77°F)

F.V/Time	5min	10min	15min	30min	1h	2h	3h	4h	5h	6h	10h	20h
1.80V/cell	351	275	211	137	83.6	50.2	38.0	29.8	25.6	22.3	14.6	7.63
1.75V/cell	395	288	231	142	85.2	51.8	38.8	30.3	26.3	22.9	15.0	7.95
1.70V/cell	408	314	246	148	88.0	53.8	39.0	30.7	27.0	23.1	15.3	8.03
1.67V/cell	423	327	255	152	90.0	55.4	39.4	31.7	27.1	23.4	15.4	8.09
1.60V/cell	434	339	260	156	93.2	56.8	39.7	32.3	27.4	23.5	15.5	8.11

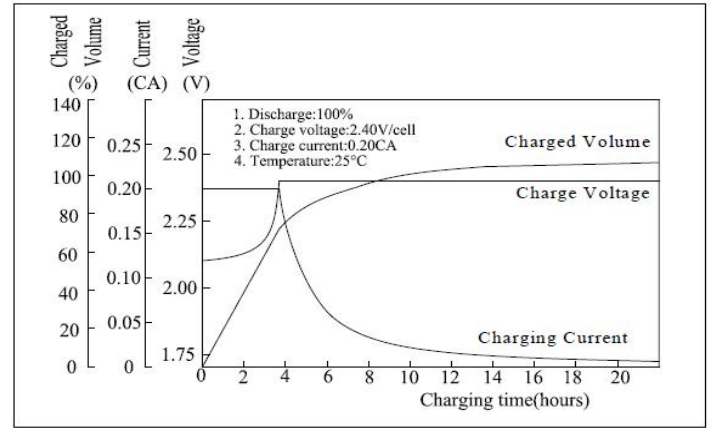
Constant Current Discharge at 25°C(77°F)

F.V/Time	5min	10min	15min	30min	1h	2h	3h	4h	5h	6h	10h	20h
1.80V/cell	183	143	110	71.3	43.5	26.2	19.8	15.5	13.3	11.6	7.62	3.98
1.75V/cell	206	150	120	74.1	44.4	27.0	20.2	15.8	13.7	11.9	7.80	4.14
1.70V/cell	212	164	128	77.2	45.8	28.0	20.3	16.0	14.0	12.1	7.99	4.18
1.67V/cell	221	170	133	79.1	46.9	28.9	20.5	16.5	14.1	12.2	8.03	4.22
1.60V/cell	226	177	135	81.4	48.5	29.6	20.7	16.8	14.3	12.3	8.10	4.23

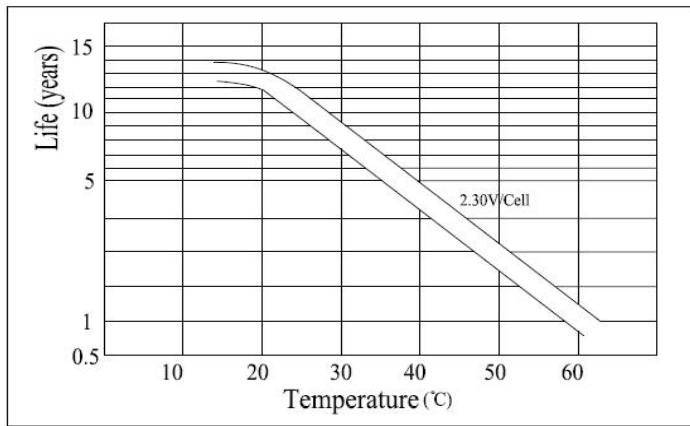
Discharge Characteristics



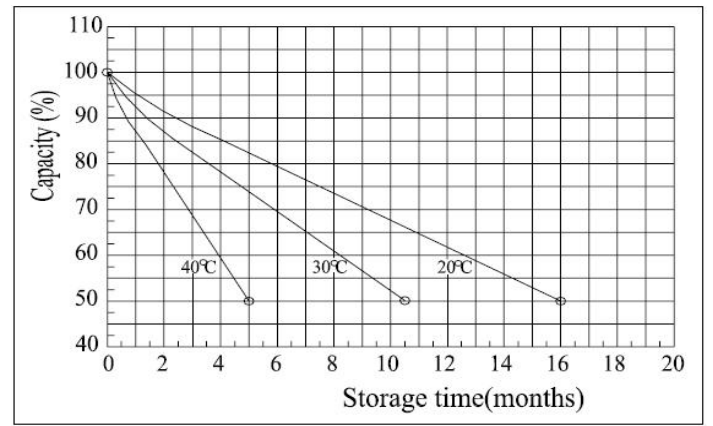
Float Charging Characteristics



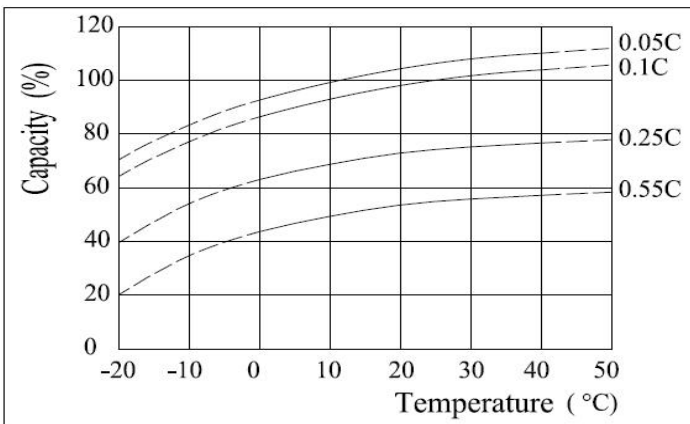
Floating Life on Temperature



Self Discharge Characteristics (25°C(77°F))



Temperature Effects in Relation to Battery Capacity



Cycle Life Relation to Depth of Discharge

